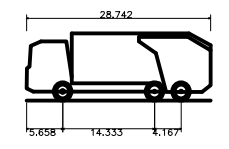
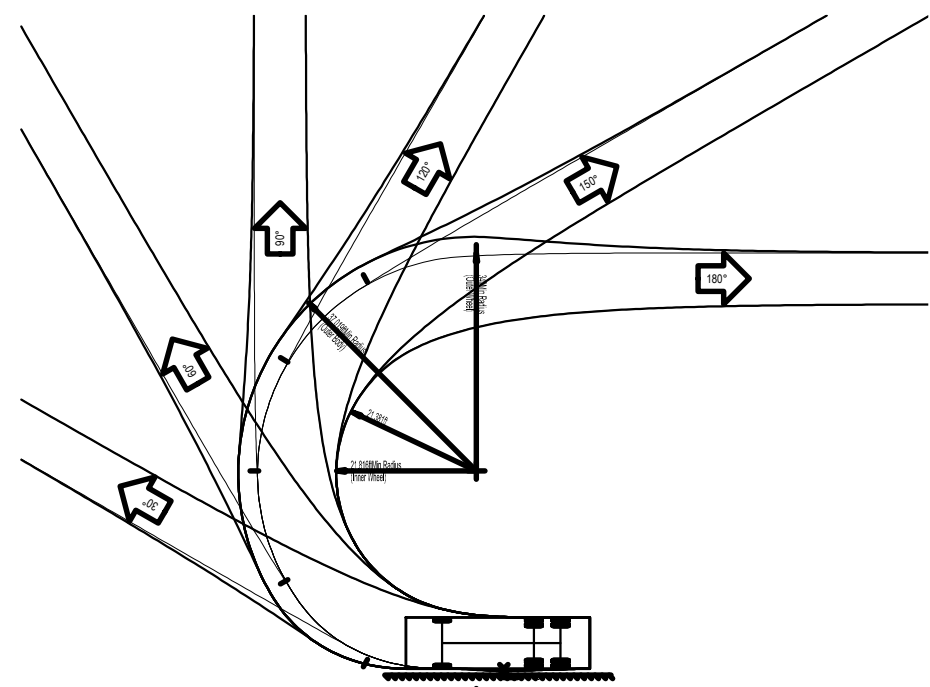
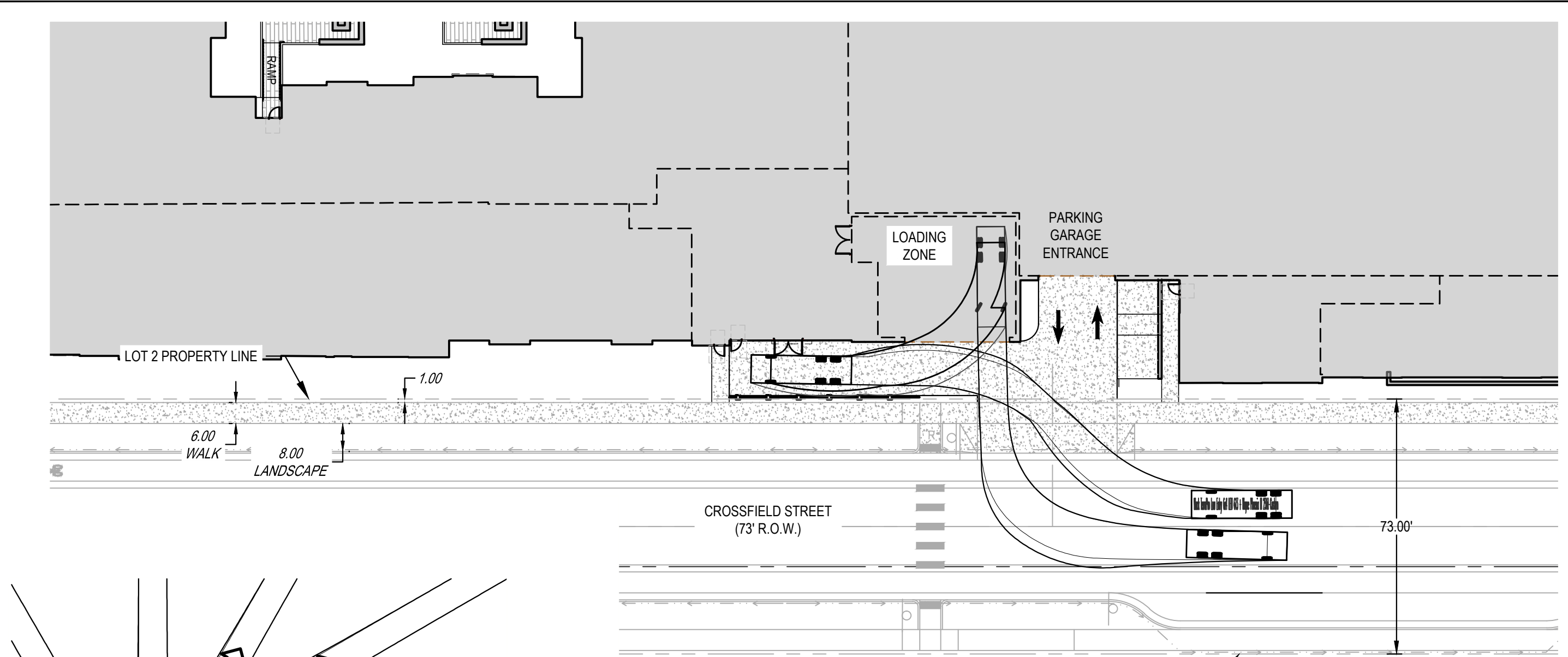
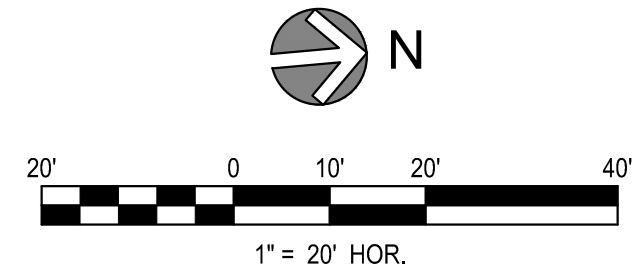


THIS AND ANY OTHER ELECTRONIC DRAWING, CONTAINED HEREIN, IS AN INSTRUMENT OF SERVICE PREPARED BY MERRICK AND COMPANY FOR A SPECIFIC PROJECT. IT IS NOT INTENDED OR REPRESENTED TO BE SUITABLE FOR REUSE IN ANY PART OR EXTENSION OF THE PROJECT OR ANY OTHER PROJECT. MERRICK AND COMPANY SHALL BE AT THE SOLE RISK OF THE UNAUTHORIZED USER WITHOUT LIABILITY FOR LOSS OF DATA OR COMPROMISE.

File Location: O:\DEN\Projects\1370-00 Century Couplet\CAD\Exhibits\2023-0503-East Drive Entry Opisx1240-SITE-4-Opt-FINAL-TRASH.dwg Plot Date: 1/23/2024 11:16 AM Last Saved By: KELLAN.BLACK



Mack TerraPro Low Entry 6x4 LEU 613 + Wayne Phoenix III 25Yd-Custom  
 Overall Length 28.742ft  
 Overall Width 8.000ft  
 Overall Body Height 10.481ft  
 Min. Body Ground Clearance 1.311ft  
 Track Width 8.000ft  
 Lock-to-lock time 6.00s  
 Curb to Curb Turning Radius 38.000ft

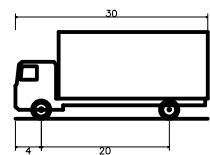
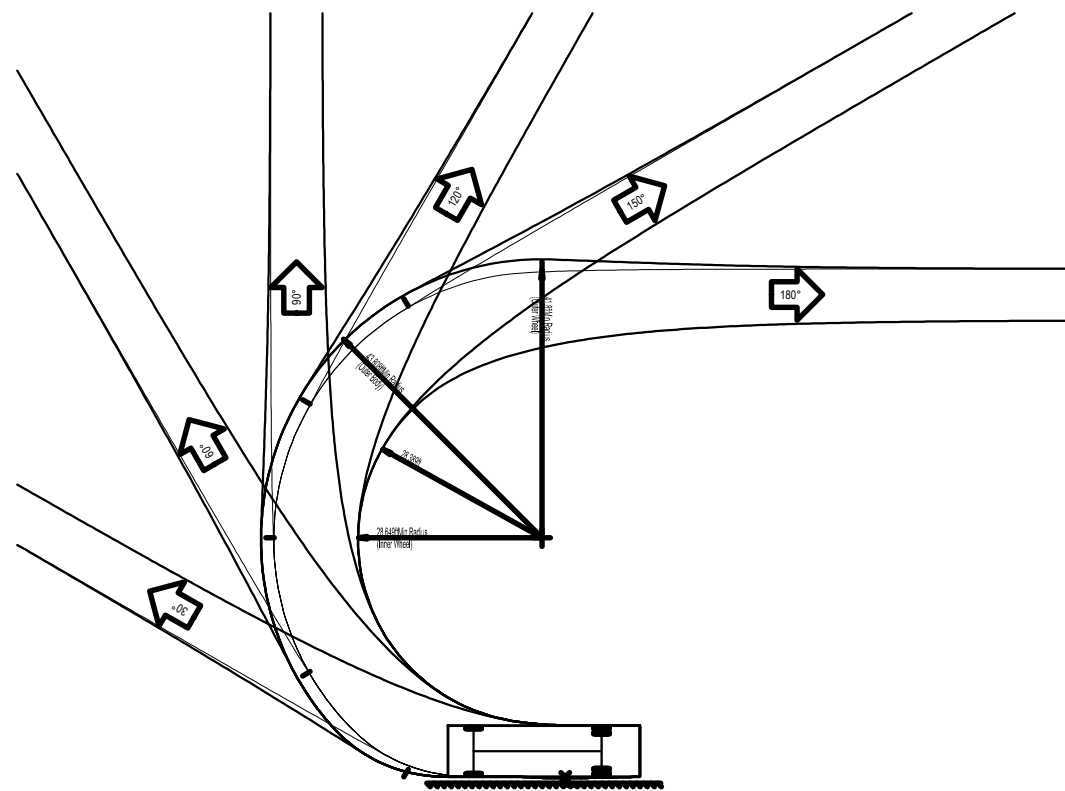
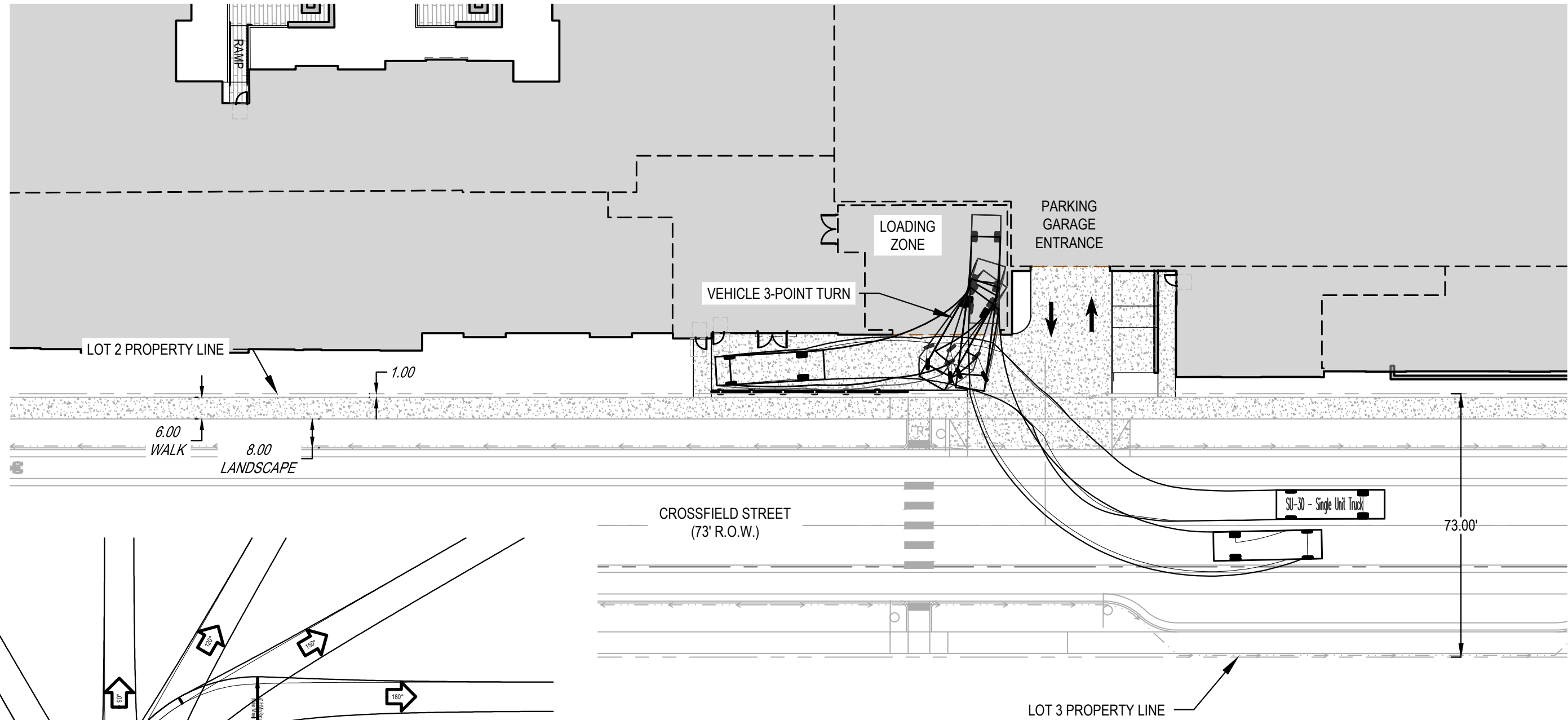


RIDGEGATE COUplet MULTIFAMILY  
 MACK REFUSE TRUCK LOADING EXHIBIT

DATE: 10/30/2023  
 SHEET: 1 OF 1

THIS AND ANY OTHER ELECTRONIC DRAWING, CONTAINED HEREIN, IS AN INSTRUMENT OF SERVICE PREPARED BY MERRICK AND COMPANY FOR A SPECIFIC PROJECT. IT IS NOT INTENDED OR REPRESENTED TO BE SUITABLE FOR REUSE IN ANY OTHER PROJECT OR EXTENSION OF THE PROJECT OR BY ANY OTHER PARTY. MERRICK AND COMPANY SHALL BE AT THE SOLE RISK OF THE USER FOR ANY UNAUTHORIZED USES WITHOUT LIABILITY FOR LOSS OF DATA OR COMPANY.

File Location: O:\DEN\Projects\1370-00 Century Couplet\CAD\Exhibits\2023-0503-East Drive Entry\Opisx1240-SITE-F4-Opt-FINAL\_REV.dwg Plot Date: 1/22/2024 5:13 PM Last Saved By: KELLAN.BLACK



SU-30 - Single Unit Truck  
 Overall Length 30.000ft  
 Overall Width 8.000ft  
 Overall Body Height 13.500ft  
 Min Body Ground Clearance 1.367ft  
 Track Width 8.000ft  
 Lock-to-lock time 5.00s  
 Curb to Curb Turning Radius 41.800ft



1" = 20' HOR.



RIDGEGATE COUPLET MULTIFAMILY  
 SU-30 LOADING EXHIBIT

DATE: 01/02/2024

SHEET: 1 OF 1